

PTO SHAFTS

Smart Line PTO Range

The smart line range of PTO shafts offers a cost-effective entry-level option for an all-round shaft up to a Series 4 specification.

Product Code	Series	Shaft	Yoke	540RPM Rated HP	Length
93271	1	Triangular pipe	1 3/8" 6 Spline with Quick Release Button	16HP	1000
93273	2	Triangular pipe	1 3/8" 6 Spline with Quick Release Button	21HP	1000
93275	4	Triangular pipe	1 3/8" 6 Spline with Quick Release Button	35HP	1000



AMA Cardan Range

AMA CARDAN range offers a reliable Italian made quality PTO shaft suitable for the Australian conditions. Everything from a Series 1 up to Series 8 constant velocity shaft is ranged in the AMA Cardan series.

Product Code	Series	Shaft	Yoke	540RPM Rated HP	Length	Type
00949	1	Triangular pipe	1 3/8" 6 Spline with Quick Release	16	1000	Std
00958	2	Triangular pipe	1 3/8" 6 Spline with Quick Release	21	1000	Std
01721	4	Triangular pipe	1 3/8" 6 Spline with Quick Release	35	1000	Std
01723	4	Triangular pipe	1 3/8" 6 Spline with Quick Release	35	1200	Std
00978	5	Triangular pipe	1 3/8" 6 Spline with Quick Release	55	1200	Std
01730	6	Triangular pipe	1 3/8" 6 Spline with Quick Release	64	1000	Std
01732	6	Triangular pipe	1 3/8" 6 Spline with Quick Release	64	1200	Std
79154	6	Triangular pipe	1 3/8" 6 Spline with Quick Release	64	1800	Std
00994	8	Triangular pipe	1 3/8" 6 Spline with Quick Release	95	1000	Std
00996	8	Triangular pipe	1 3/8" 6 Spline with Quick Release	95	1200	Std
6OM1010CE	6	Triangular pipe	1 3/8" 6 Spline with Quick Release	64	1200	Wide Angle
59907	6	Triangular pipe	1 3/8" 6 Spline with Quick Release	64	1200	Wide Angle
85561	8	Triangular pipe	1 3/8" 6 Spline with Quick Release	95	1200	Wide Angle



QUICK RELEASE SPLINED SHAFT YOKE

Product Code	Series	Yokes
56748	4	1"3/8 Z21
85029	4	1" 3/8 Z6
08030	6	1"3/4 Z6
56752	6	1"3/4 Z20
56750	6	1"3/8 Z21
85031	6	1" 3/8 Z6
08032	8	1"3/4 Z6
56753	8	1"3/4 Z20
85034	8	1" 3/8" Z6



OVER-RUN FREE WHEEL COUPLINGS

Product Code	Series	Yokes	Torque Nm
01196	4	1"3/8 Z6	1600
01179	6	1"3/8 Z6	2400
17501	8	1"3/8 Z6	2400



RATCHET CLUTCH

Product Code	Series	Yokes	Torque Nm
19946	1	1"3/8 Z6	400
01146	2	1"3/8 Z6	400
08046	2	1"3/8 Z6	800
01177	4	1"3/8 Z6	800
08035	6	1"3/8 Z6	1200



SAFETY DISCS CLUTCH

Product Code	Series	Yokes	Torque Nm
01134	4	1"3/8 Z6	900
01138	6	1"3/8 Z6	1200
01145	8	1"3/8 Z6	2200



SHEAR BOLT YOKES

Product Code	Series	Yokes
01129	4	1"3/8 Z6
01131	6	1"3/8 Z6
01133	8	1"3/8 Z6



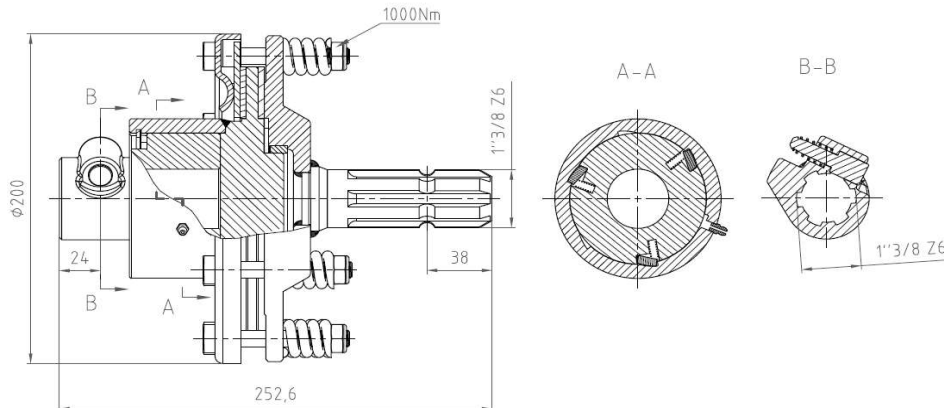
DISC CLUTCH EXTENSION MALE/FEMALE

Product Code	Series	Yokes	Torque Nm
19962	4	1"3/8 Z6	900
19963	6	1"3/8 Z6	1200
19965	8	1"3/8 Z6	2200



DISK CLUTCH WITH FREE WHEEL MALE /FEMALE

Product Code	Series	Yokes	Torque Nm
DJPTOPJFFSR2100	4-6	1"3/8 Z6	1000
DJPTOPJFFSR2200	8	1"3/8 Z6	1500



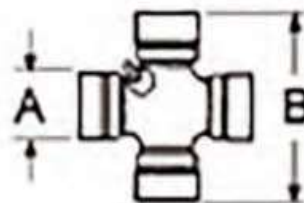
LINKAGE PIN CONVERSION BUSHES (mm)

Product Code	Series	A	B	C	Notes
00042	I/II	19.4	25.4	51	For Top Link
03887	II/III	25.4	31.8	51	For Top Link
00038	I/II	22.4	28.4	44	For Bottom Arms
03989	II/III	28.2	37.8	44	For Bottom Arms



CROSS UNITS (UNI'S) (mm)

Product Code	Series	A	B	C	D	Manufacturer
00860		18	47			WALTERSCHEID, BY-PY
00861	1	22	54			BY-PY
00863	2	23.8	61.2			WALTERSCHEID, BY-PY
00865	3	27	70			WALTERSCHEID, BY-PY
00867	4	27	74.6			WALTERSCHEID, BY-PY
00868	5	30.2	80			BY-PY
00870	6	30.2	92			BY-PY
00871	7	30.2	106.5			BY-PY
00873	8	35	106.2			WALTERSCHEID, BY-PY
0800	W2400	32	76			WALTERSCHEID
0801	W2500	36	89			WALTERSCHEID
37725	4	27	75	24	91	AMA
37726	6	32	76	27	94	AMA
95077	8	32	106	36	89	AMA



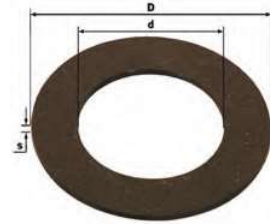
PTO EXTENSION (mm)

Product Code	External Profile	Internal Profile	Length	Notes
00070	1"3/8 Z6	1"3/8 Z6	150	Button
00073	1"3/8 Z6	1"3/8 Z6	150	Bolt
05933	1"3/8 Z6	1"3/8 Z21	150	Button
37885	1"3/8 Z6	1"3/4 Z20	150	Bolt



PTO CLUTCH DISCS (mm)

Product Code	D	d	S	Application
A4165	125	44.5	3.5	Bareco 6"clutches B4164 B4165 B9164
A3721	163	62.25	3.5	Bareco 8"clutches B3605 B4157 B6693 B4669 B6669 B6790

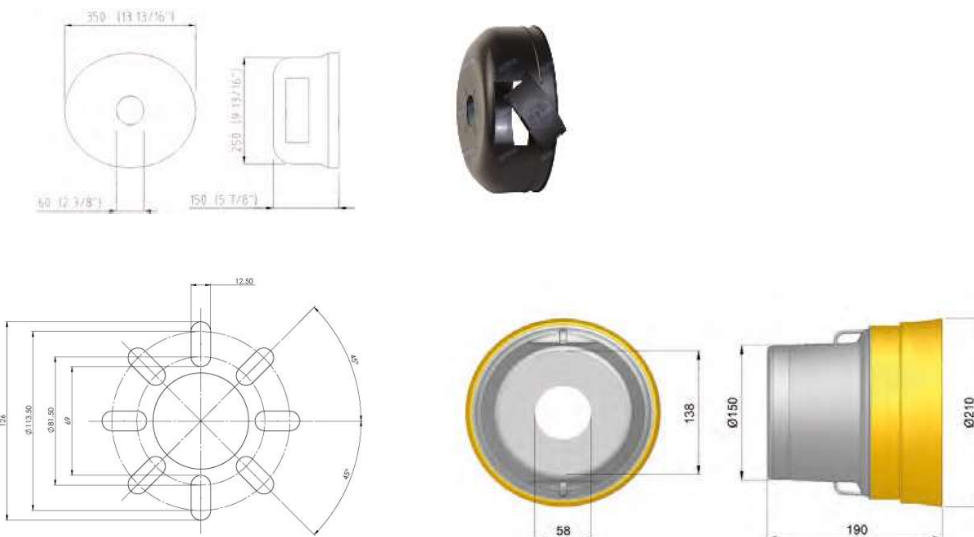


PTO PROTECTION CONE (mm)

Product Code	Description	Diameter	Length
93639	Sliding Protection Cone	190	160
93640	Aluminium Bottom Plates	202	
C5201I320	Sliding Protection Cone	215	320
6INS0520	Aluminium Bottom Plates	227	
C5401I280	Sliding Protection Cone	240	280
6INS0540	Aluminium Bottom Plates	253	



Product Code	Description
C3181C4	OVAL PLASTIC CONE WITH WINDOW
C0318C4	CIRCULAR SHAFT CONE

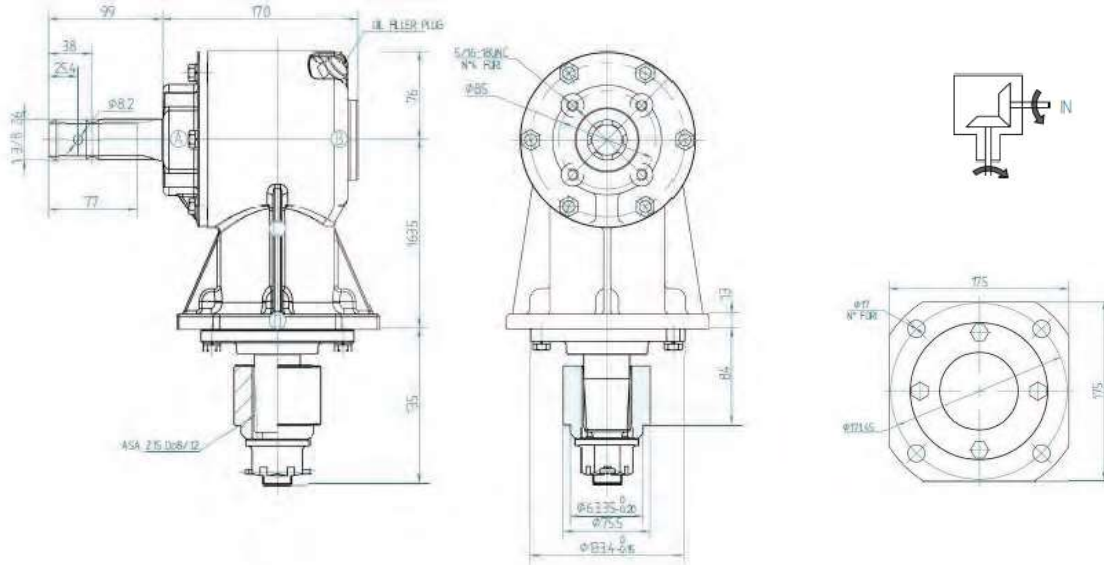


**AMA OCEANIA IS THE OFFICIAL DISTRIBUTOR
OF CMR GEARBOXES AND PTO SHAFTS**



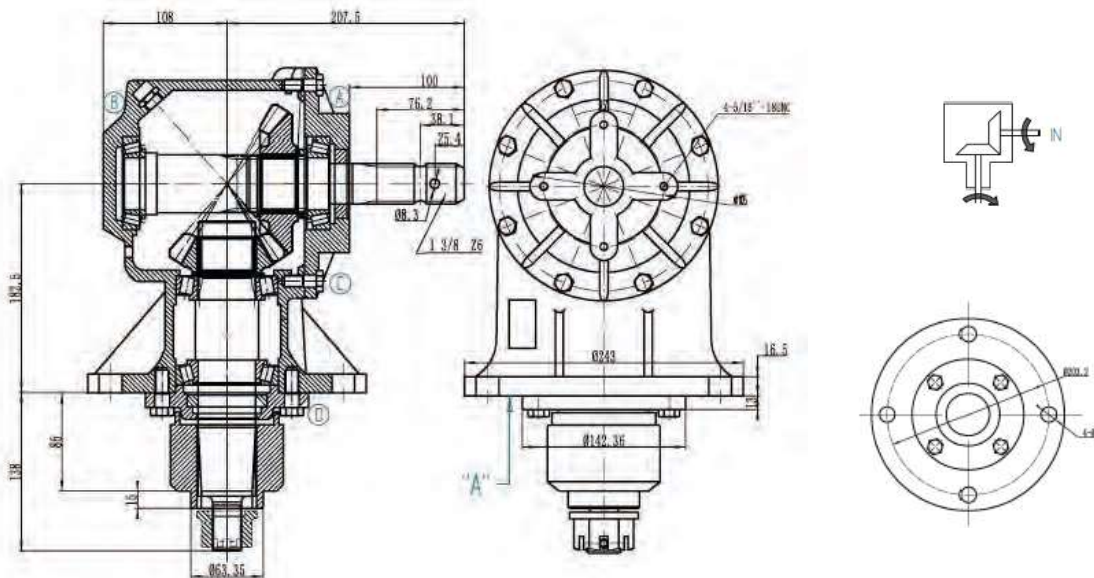
CMR 40 HP GEARBOX (Equivalent to B2666)

Product Code	Ratio	Nm	Nm (max)	RPM input	RPM output	Kw (HP)
V31 SVC332940100X	1:1.93	260	320	540	1026	29(40)



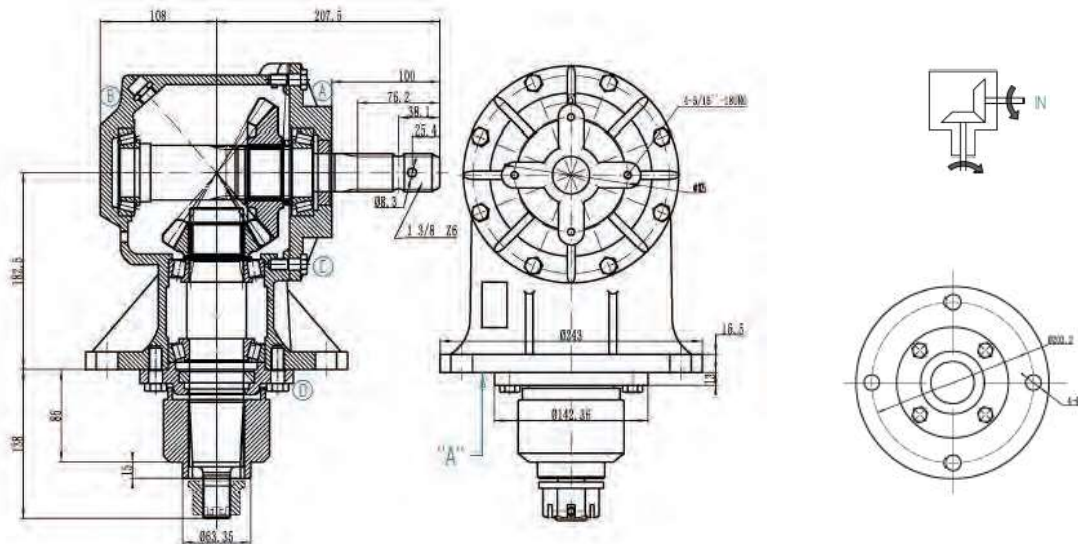
CMR 75 HP GEARBOX (Equivalent to B2667)

Product Code	Ratio	Nm	Nm (max)	RPM input	RPM output	Kw (HP)
V61 SVC509420100X	1:1.46					75



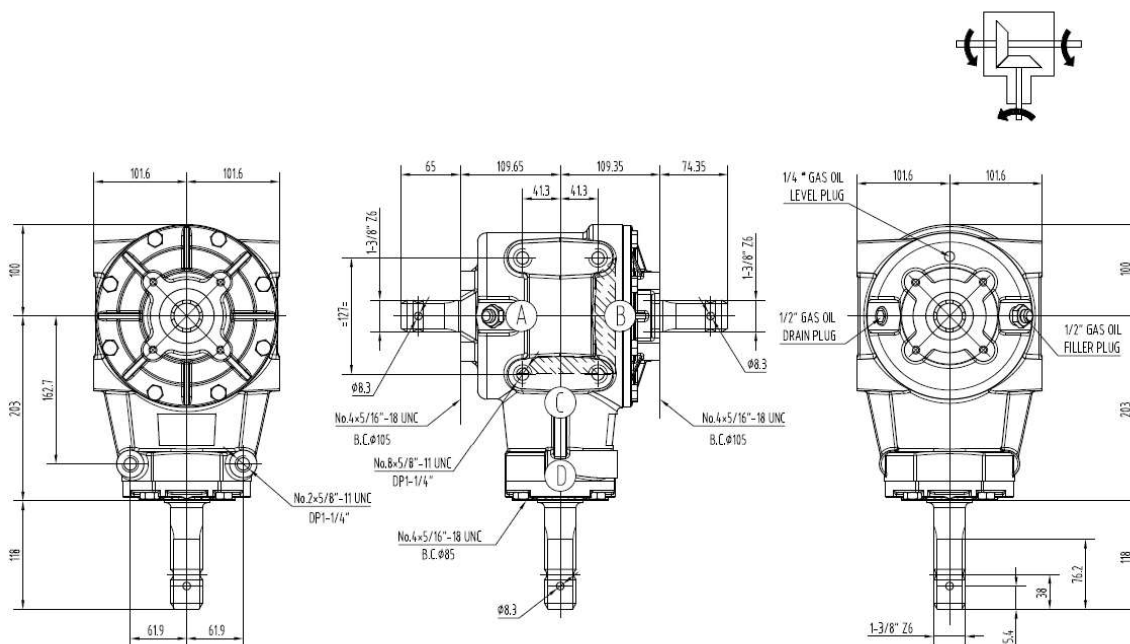
CMR 75 HP GEARBOX (Equivalent to B6667)

Product Code	Ratio	Nm	Nm (max)	RPM input	RPM output	Kw (HP)
V61 SVC532420100X	1:1.93			540	1042	75



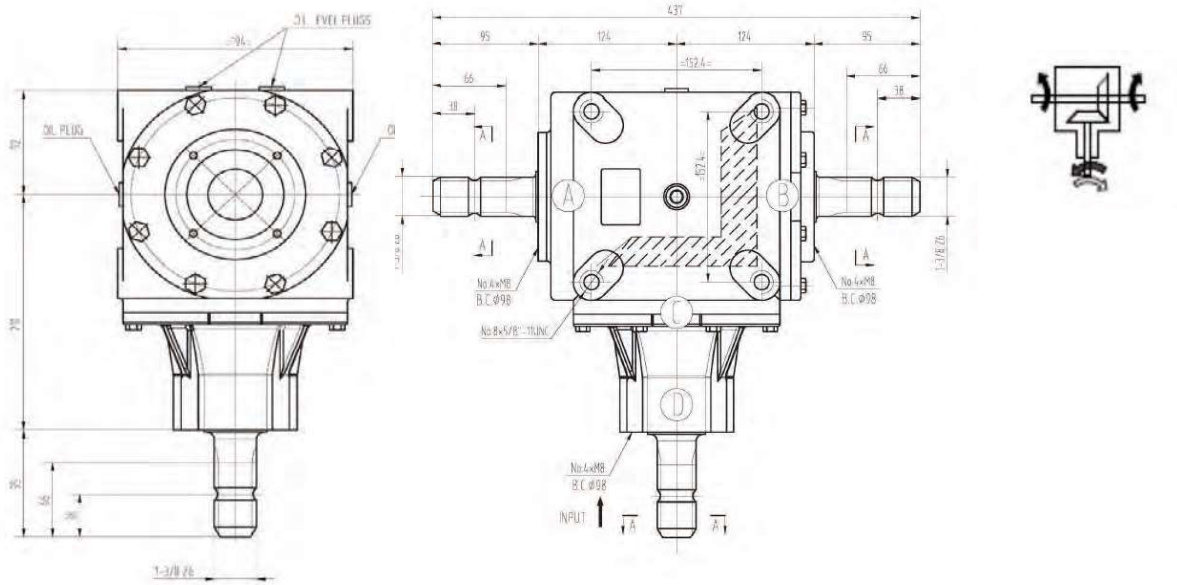
CMR 80 HP T-SERIES GEARBOX (Equivalent to B7513)

Product Code	Ratio	Nm	Nm (max)	RPM input	RPM output	Kw (HP)
T61 PN22091508	1:1.21	795.8	657.7	540	653.4	73.5 (100)



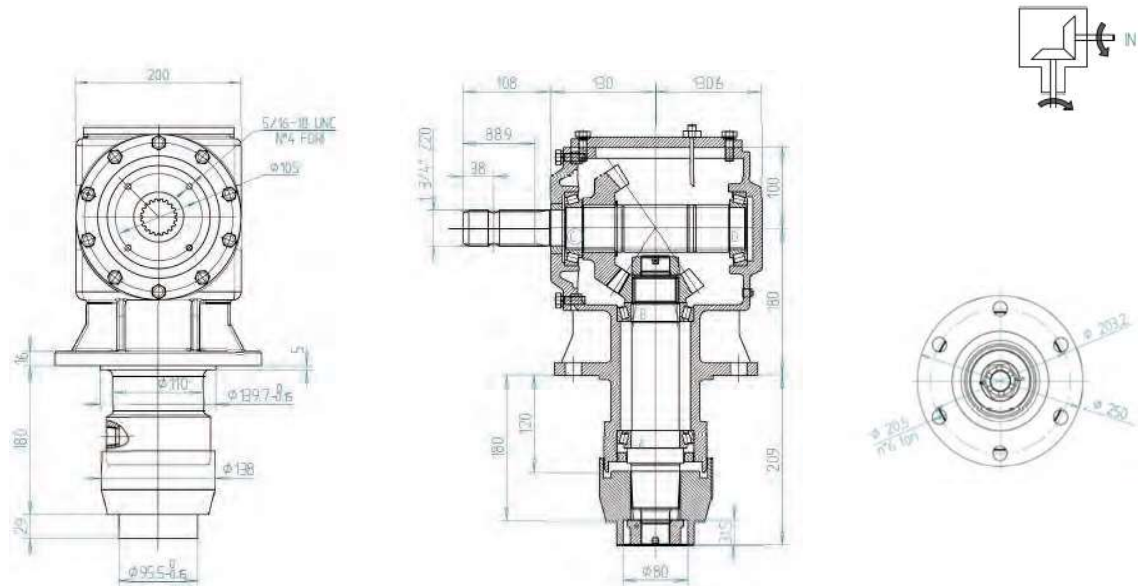
CMR 90 HP T- SERIES GEARBOX (Equivalent to B8513)

Product Code	Ratio	Nm	Nm (max)	RPM	Kw (HP)	Gear	Note
T57 SL5106SP00001	1:1	1300	1560	540	73.5 (100)	Z21 M7	Free Wheel version



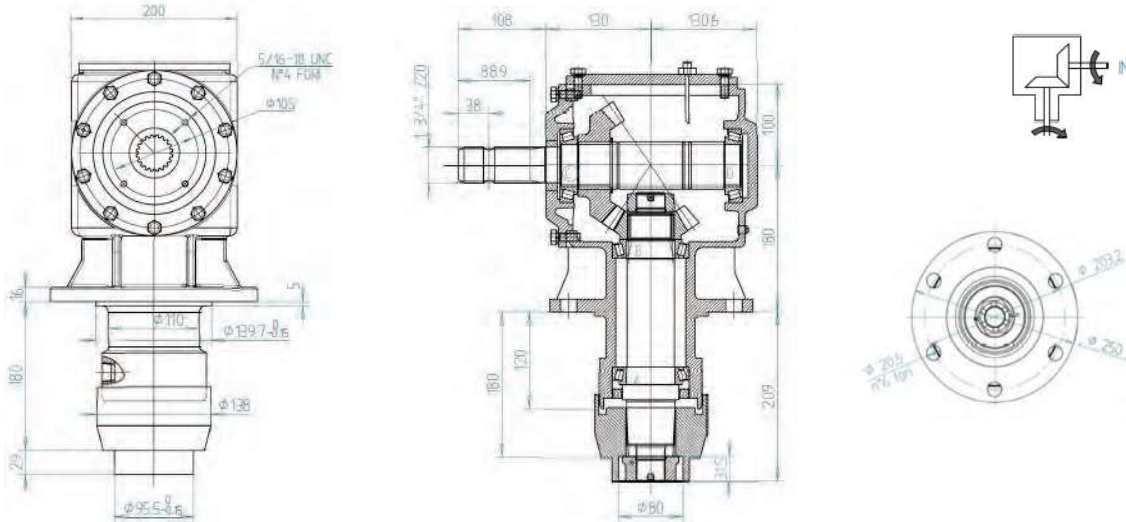
CMR 130 GEARBOX (Equivalent to B8667)

Product Code	Ratio	Nm	Nm (max)	RPM input	RPM output	Kw (HP)
V130 SVC9329K0100X	1:1.93	890	1100	540	1042	97 (130)



CMR 130 HP GEARBOX (Equivalent to B8668)

Product Code	Ratio	Nm	Nm (max)	RPM input	RPM output	Kw (HP)
V130 SVC9099K0100X	1:1.46	1174	1400	540	788	97(130)



CMR 130 HP GEARBOX (Equivalent to B8673)

Product Code	Ratio	Nm	Nm (max)	RPM input	RPM output	Kw (HP)
V130 SVC9099K0100Y	1:1.46	1715	1176	540	788	97(130)

